



Portable echo™ Kit Instructions

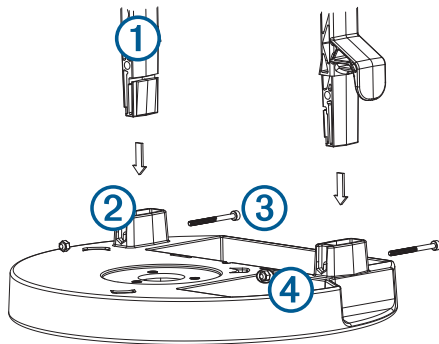
⚠ WARNING

Pozrite si príručku *Dôležité informácie o bezpečnosti a produkte* v balení zariadenia GPS s produktom, kde nájdete upozornenia spojené s produktom a iné dôležité informácie.

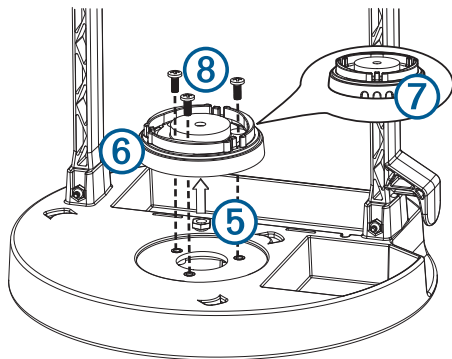
Assembling the Mount

Before you can assemble the mount, ensure you have a Phillips screwdriver available to complete the assembly.

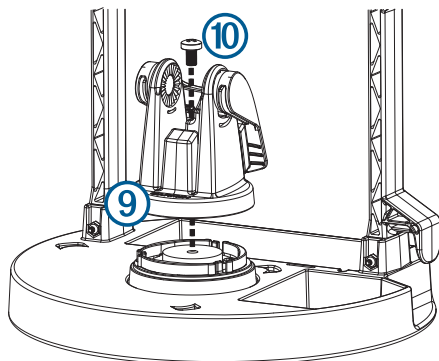
- 1 Insert the handle ① into the two openings on the portable mount ②.



- 2 Attach the handle to the portable mount using two M4×0.7×40 screws ③ and M4×7 mm nuts ④.
- 3 Press the M6×1 nut ⑤ into the bottom of the swivel-mount base ⑥.



- 4 Place the swivel-mount base on the portable mount, route the echo device power and transducer cables through the pass-through holes ⑦, and fasten the swivel-mount base using three M4×0.7×10 screws ⑧.
- 5 Place the swivel mount ⑨ on the swivel-mount base.



- 6 Install the M6×1.0 screw ⑩ through the swivel-mount, and tighten to the preferred position.

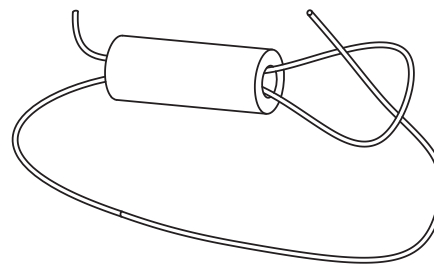
- 7 If necessary, pull out enough slack from the power and transducer cables so the mount can fully swivel to the preferred positions when the cables are connected.

Transducer

The transducer can be configured two ways. You can configure the transducer with the included suction cup mount for use on the side or bottom of your boat. You can also configure the transducer with the included float for ice-fishing or dockside use.

Floating the Transducer

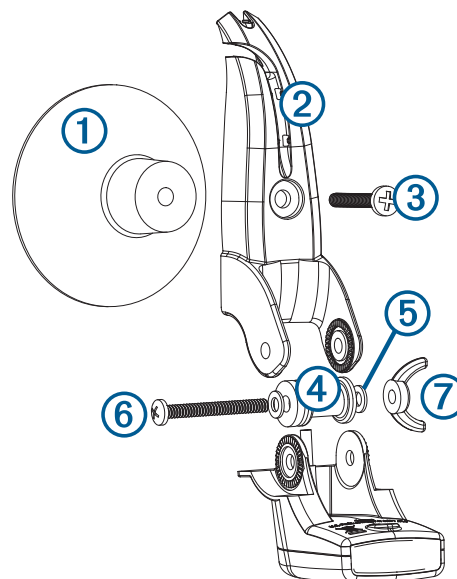
- 1 While holding the transducer arm in one hand, take a length of the transducer cable and make a loop.
- 2 Insert the loop into one end of the float until the loop extends out of the opposite end of the float.
- 3 Ensure the length of cable between the float and transducer is long enough so the transducer can be suspended below the water or ice.
- 4 Thread the transducer through the loop at the end of float and pull tight.



Mounting the Transducer with the Suction Cup

If you purchased the echo device separately from the portable kit, before you can mount the transducer on the transducer arm, you must find the spacers and washers that were packaged with the echo device.

- 1 Attach the suction cup ① to the transducer arm ② using the 1/4-20×0.750 screw ③.



- 2 Insert the rubber washer and spacer ④ into the transducer.
- 3 Pull the transducer cable back and slide the transducer into the transducer arm.
You can route the transducer cable through the notch and opening in the transducer arm.
- 4 Place the washers ⑤ on the outside of the transducer arm.
- 5 Insert the 10-32×1.75 screw ⑥ through the transducer arm, transducer, spacer, and washers.
- 6 Fasten the screw with the 10-32 wing nut ⑦.

- 7 Attach the suction cup to the side of your boat.
- 8 Align the transducer parallel with the water line.

Connecting and Stowing the Cables

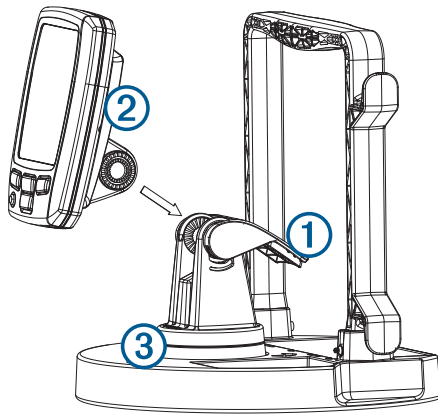
⚠ CAUTION

Ensure that you connect the correct connector to the correct battery terminal. Damage to the battery, device, or bodily harm may occur if the device is improperly connected to the battery.

- 1 Using the cables you inserted through the pass-through holes on the portable mount, compare the divot on the cable connector to the keying on the echo device ports to identify the correct port.
- 2 Push the cable connector into the correct port until the connector is fully seated.
- 3 Repeat steps 1 and 2 until all of the cables are connected to the device.
- 4 Slide the positive (red) connector onto the positive (red) terminal on the battery.
- 5 Slide the negative (black) connector onto the negative (black) terminal on the battery.
- 6 If necessary, wrap excess power cable around the open section on the underside of the portable mount.
- 7 If necessary, wrap excess transducer cable around the hooks on the side of the handle on the portable mount.

Installing the Device

- 1 Connect the power and transducer cables to the device.
- 2 With the locking arm ① in the upward position, place the echo device ② into the swivel mount ③.



- 3 Tilt the mount for the preferred viewing angle and press down on the locking arm.

Placing the Portable Kit in the Bag

After you have assembled the portable kit mount, you can place it in the bag, which makes it easier to carry and protects it from the elements. The bag contains hooks that allow you to tether the bag to a seat on your boat.

- 1 Place the battery in the open space behind the swivel mount.
- 2 Slide two of the included hook and loop straps through the narrow slots near the battery.
- 3 Pull the straps under and around the bottom of the portable mount, and wrap them tightly around the battery.
- 4 Place the transducer into the open space next to the swivel mount.
- 5 Place the portable kit in the bag.
- 6 Wrap the flap of nylon found inside the bag around the handle of the portable base and secure it to the opening flap.
- 7 Pull the opening flap over the handle.
- 8 Zip up the opening flap to close the bag.

Battery Information

Battery Warnings

Your GPS device uses a user-replaceable sealed lead acid battery. If these guidelines are not followed, the battery may experience a shortened life span or may present a risk of damage to the device, fire, chemical burn, electrolyte leak, and/or bodily injury.

⚠ WARNING

- When storing the battery for an extended time, store within the following temperature range: from 5° F to 104°F (from -15° C to 40° C).
- Do not operate the battery outside of the following temperature range: from 5° F to 122° F (from -15° C to 50° C).
- Do not place the battery near objects that may cause sparks, flames, or heat.
- Do not incinerate the battery.
- Keep the battery tightly closed.
- Do not use a sharp object to remove the battery.
- Do not disassemble, puncture, or damage the battery.
- Do not swallow, touch, or inhale the contents of an open battery. Avoid contact with internal acid. Contact with internal acid may cause irritation or severe burns. Irritation may occur to the eyes, respiratory system, and skin. Flush with water at once if contact is made with acid.
- Do not submerge the battery and avoid contact with water.
- Do not short the battery terminals.
- Do not drop or throw the battery.
- Keep the battery away from children.
- Only replace the battery with the correct replacement battery. Using another battery presents a risk of fire or explosion of the device or charger.
- Only charge the battery with the included charger.
- Do not charge the battery in an unventilated area.
- Store in a cool, dry, and well-ventilated area.
- Do not charge the battery in a gas-tight container.
- Do not leave the device exposed to a heat source or in a high-temperature location, such as in the sun in an unattended vehicle. To prevent damage, remove the device from the vehicle or store it out of direct sunlight.
- Do not use organic solvents or other cleaners other than recommended chemical cleaners on the battery.
- Contact your local waste disposal department to dispose of the battery in accordance with applicable local laws and regulations.

Charging the Battery

⚠ CAUTION

Ensure that you connect the correct connector to the correct battery terminal. Damage to the battery, device, or bodily harm may occur if the device is improperly connected to the battery.

Before you can charge the battery using the charger, you must disconnect the echo device power cable from the positive and negative terminals on the battery.

The battery is rechargeable and can be charged by connecting the battery to a wall charger.

- 1 Connect the positive connector on the wall charger onto the positive terminal on the battery.
- 2 Slide the negative connector on the wall charger onto the negative terminal on the battery.
- 3 Connect the wall charger to the wall outlet.

Battery Tips

- The life expectancy of a sealed lead acid battery can be extended by recharging often and not completely discharging the battery.
- Sealed lead acid batteries slowly lose their charge while in storage. For best results, charge the battery prior to use.

- When used in cold temperatures, sealed lead acid batteries do not hold the charge as long as in warmer temperatures.
- To avoid spilling the internal acid, keep the battery in the upright position.
- Sealed lead acid batteries are completely recyclable.

Specifications

Battery type	Sealed lead acid
Battery shelf life after charging	1 month: 92% 3 months: 90% 6 months: 80%
Battery operating temperature range	From 5° F to 122° F (from -15° C to 50° C)
Battery charging temperature range	From 5° F to 104° F (from -15° C to 40° C)
Battery storage temperature range	From 5° F to 104° F (from -15° C to 40° C)

Physical size (assembled kit with device)	L x W x H: 10.629 in. x 10.629 in. x 11.02 in. (270 mm x 270 mm x 280 mm)
Weight (unassembled kit with device)	8.498 lb. (3855 g)

Industry Canada Compliance Statement

This Class B digital apparatus complies with Canadian ICES-003.

Declaration of Conformity

Hereby, Garmin® declares this product is in compliance with the essential requirements and other relevant provisions of Directive 2004/108/EC.

Limited Warranty

The Garmin standard limited warranty applies to this accessory. For more information, go to www.garmin.com/support/warranty.html.

This Slovakian version of the Portable echo Kit English manual (Garmin part number 190-01312-92, revision A) is provided as a convenience. If necessary, please consult the most recent revision of the English manual regarding the operation and use of the Portable echo Kit.

GARMIN IS NOT RESPONSIBLE FOR THE ACCURACY OF THIS SLOVAKIAN MANUAL AND DISCLAIMS ANY LIABILITY ARISING FROM THE RELIANCE THEREON.

Garmin International, Inc.
1200 East 151st Street
Olathe, Kansas 66062, USA

Garmin (Europe) Ltd.
Liberty House, Hounslow Business Park
Southampton, Hampshire, SO40 9LR UK

Garmin Corporation
No. 68, Zhangshu 2nd Road, Xizhi Dist.
New Taipei City, 221, Taiwan (R.O.C.)

Garmin® and the Garmin logo are trademarks of Garmin Ltd. or its subsidiaries, registered in the USA and other countries.
echo™ is a trademark of Garmin Ltd. or its subsidiaries. These trademarks may not be used without the express permission of Garmin.

